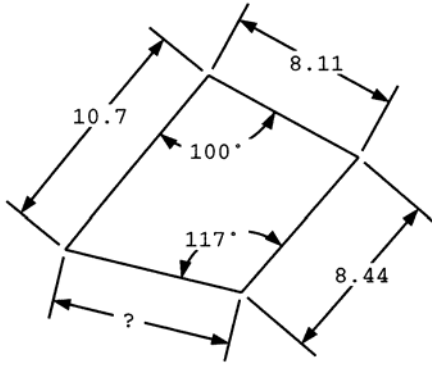


04A-79.

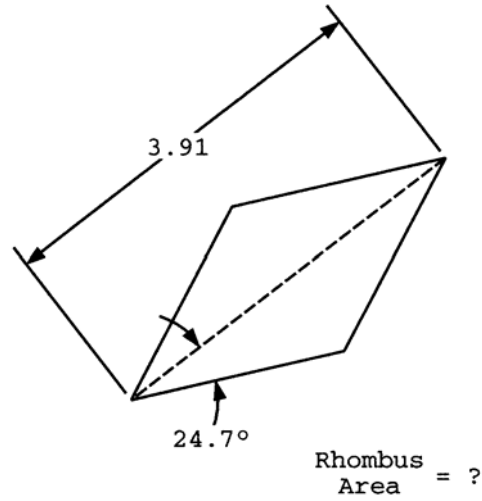
QUADRILATERAL



04A-79=\_\_\_\_\_

04B-69.

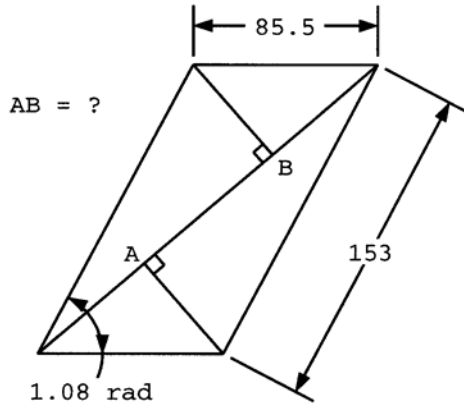
RHOMBUS



04B-69=\_\_\_\_\_

04D-80.

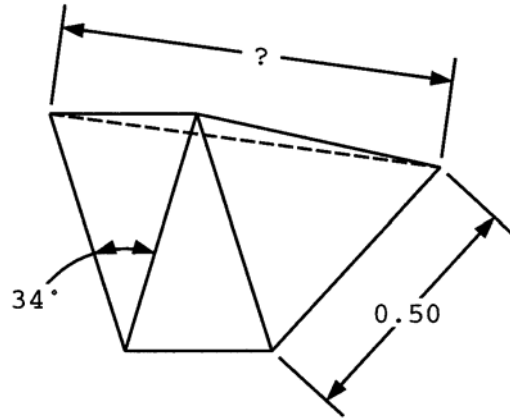
PARALLELOGRAM



04D-80=\_\_\_\_\_

04E-70.

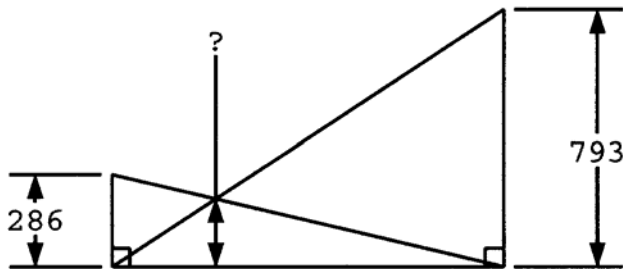
EQUILATERAL AND CONGRUENT ISOSCELES TRIANGLES



04E-70=\_\_\_\_\_

04F-70.

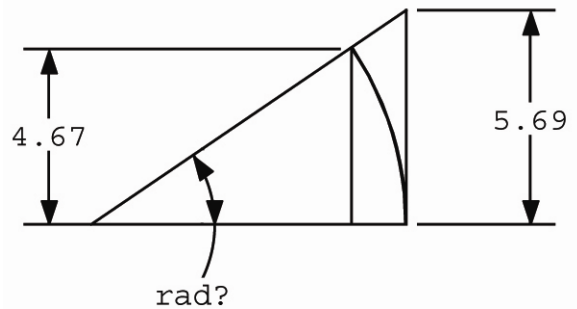
RIGHT TRIANGLES



04F-70=\_\_\_\_\_

05C-60. (modified)

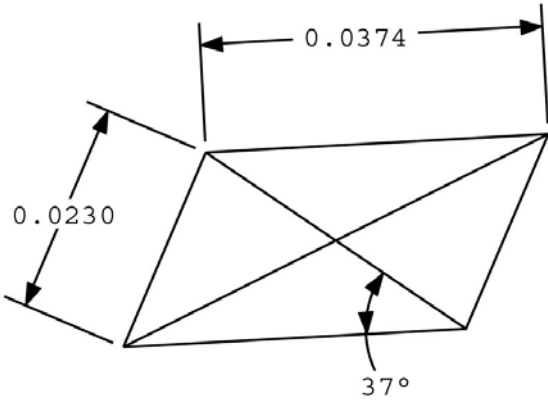
CIRCULAR ARC, RIGHT TRIANGLES



05C-60 = \_\_\_\_\_

05G-60.

PARALLELOGRAM



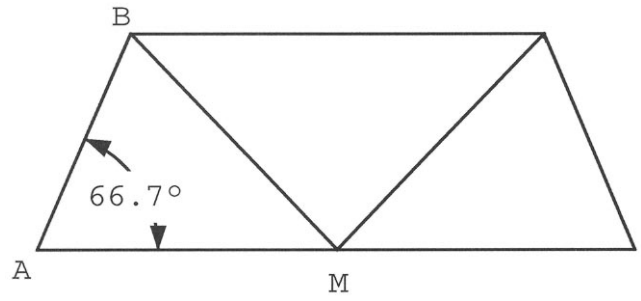
Product of Diagonals = ?

05G-60 = \_\_\_\_\_

06A-60.

ISOSCELES TRAPEZOID

Trapezoid Area = 372



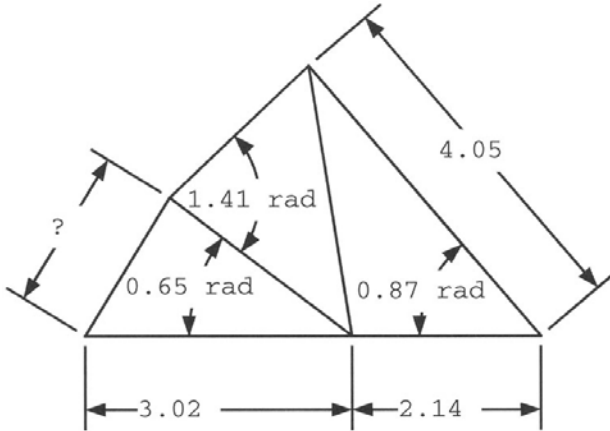
M = midpoint

AM = BM = ?

06A-60 = \_\_\_\_\_

06E-60.

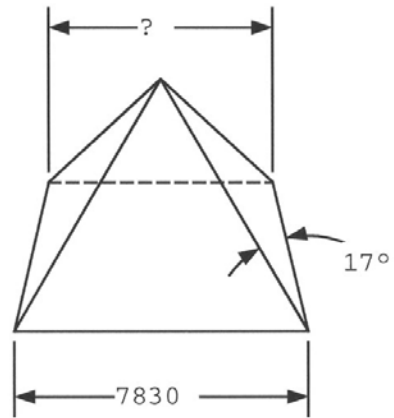
SCALENE TRIANGLES



06E-60 = \_\_\_\_\_

06I-60.

EQUILATERAL AND CONGRUENT ISOSCELES TRIANGLES

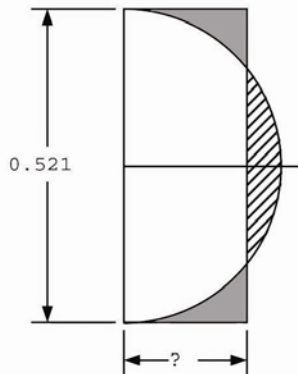


06I-60 = \_\_\_\_\_

07C-60.

RECTANGLE AND SEMICIRCLE

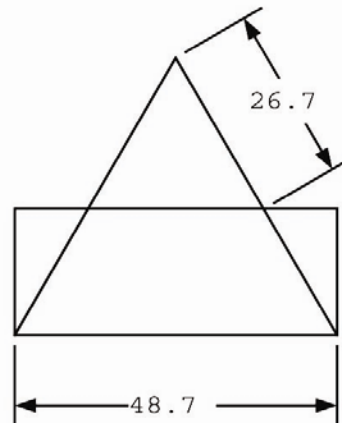
Shaded Areas = Hatched Area



07C-60 = \_\_\_\_\_

07D-60.

RECTANGLE AND EQUILATERAL TRIANGLE

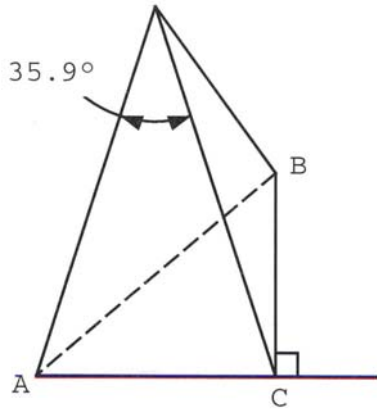


Rectangle Area = ?

07D-60 = \_\_\_\_\_

07F-60.

ISOSCELES TRIANGLES



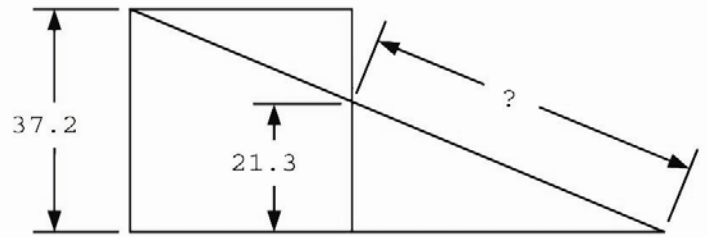
AC = 4.22

AB = ?

07F-60 = \_\_\_\_\_

07I-60.

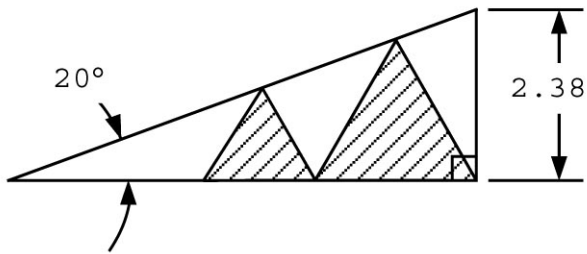
SQUARE AND RIGHT TRIANGLE



07I-60 = \_\_\_\_\_

08A-60.

RIGHT AND EQUILATERAL TRIANGLES

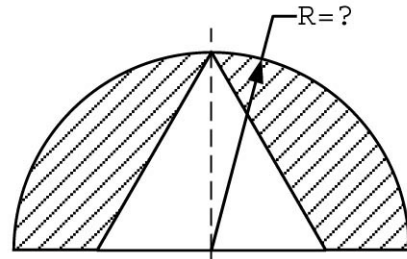


HATCHED AREA = ?

08A-60 = \_\_\_\_\_

08B-60.

SEMICIRCLE AND EQUILATERAL TRIANGLE

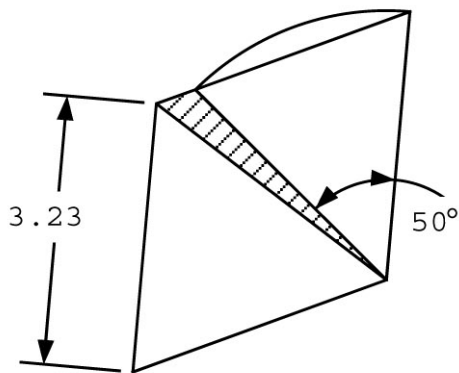


HATCHED AREA = 83.4

08B-60 = \_\_\_\_\_

08D-60.

RHOMBUS AND SECTOR

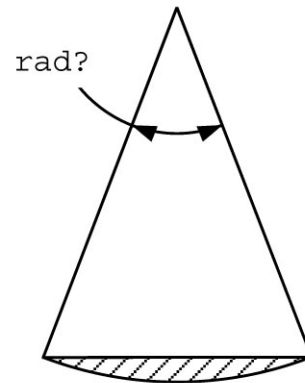


HATCHED AREA = ?

08D-60 = \_\_\_\_\_

08G-60.

ISOSCELES TRIANGLE AND SEGMENT

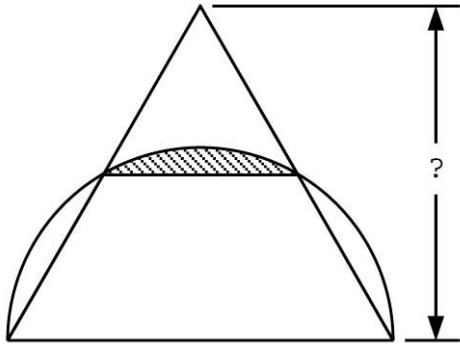


AREA (TRIANGLE) = 2190

AREA (SEGMENT) = 209

08G-60 = \_\_\_\_\_

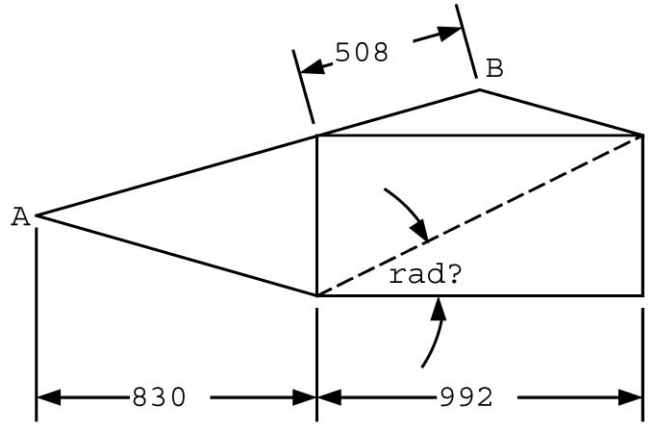
09A-60.  
EQUILATERAL TRIANGLE AND SEMICIRCLE



Hatched Area = 683

09A-60 = \_\_\_\_\_

09F-60.  
RECTANGLE AND ISOSCELES TRIANGLES



AB is a straight line segment

09F-60 = \_\_\_\_\_